



Introducing our

All Metal, Lead-Free Fusible Cap



Worry-free Protection for Metal IBCs, Tanks, and Totes

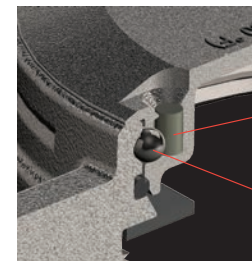
Help keep your equipment, facilities, and employees safe around the clock.

You talked. We listened. Gits Manufacturing is pleased to introduce our all metal, lead-free AVS Fusible Cap, which is engineered to exacting standards using all stainless construction and innovative fusing technology. Our rugged, reliable, and cost-effective fusible cap design stands up to harsh environments with ease keeping contents intact and your valuable resources — both human and capital — safe from harm.

AVS Fusible Cap Features



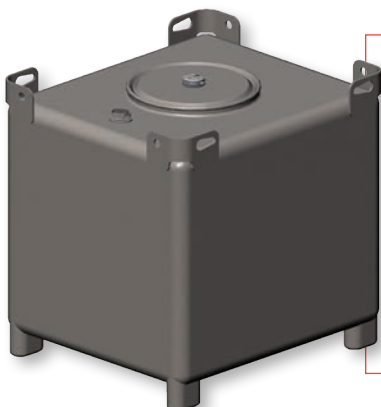
- ◆ Patented all-metal fusible element and groove lock uses a eutectic alloy to ensure precise release at a single consistent temperature
- ◆ Lead-free and CA Prop 65 compliant
- ◆ Engineered to withstand overhead blows from dropped slings and harnesses
- ◆ Rugged design can withstand steam cleaning, drying, and sterilization without harmful effects
- ◆ New snag-free lug design resists harness and sling snagging
- ◆ Durable construction ensures no polymer degradation from UV radiation or aging
- ◆ Meets all UN31A requirements for fusible elements for portable tanks



Eutectic Alloy
Lock Bearing

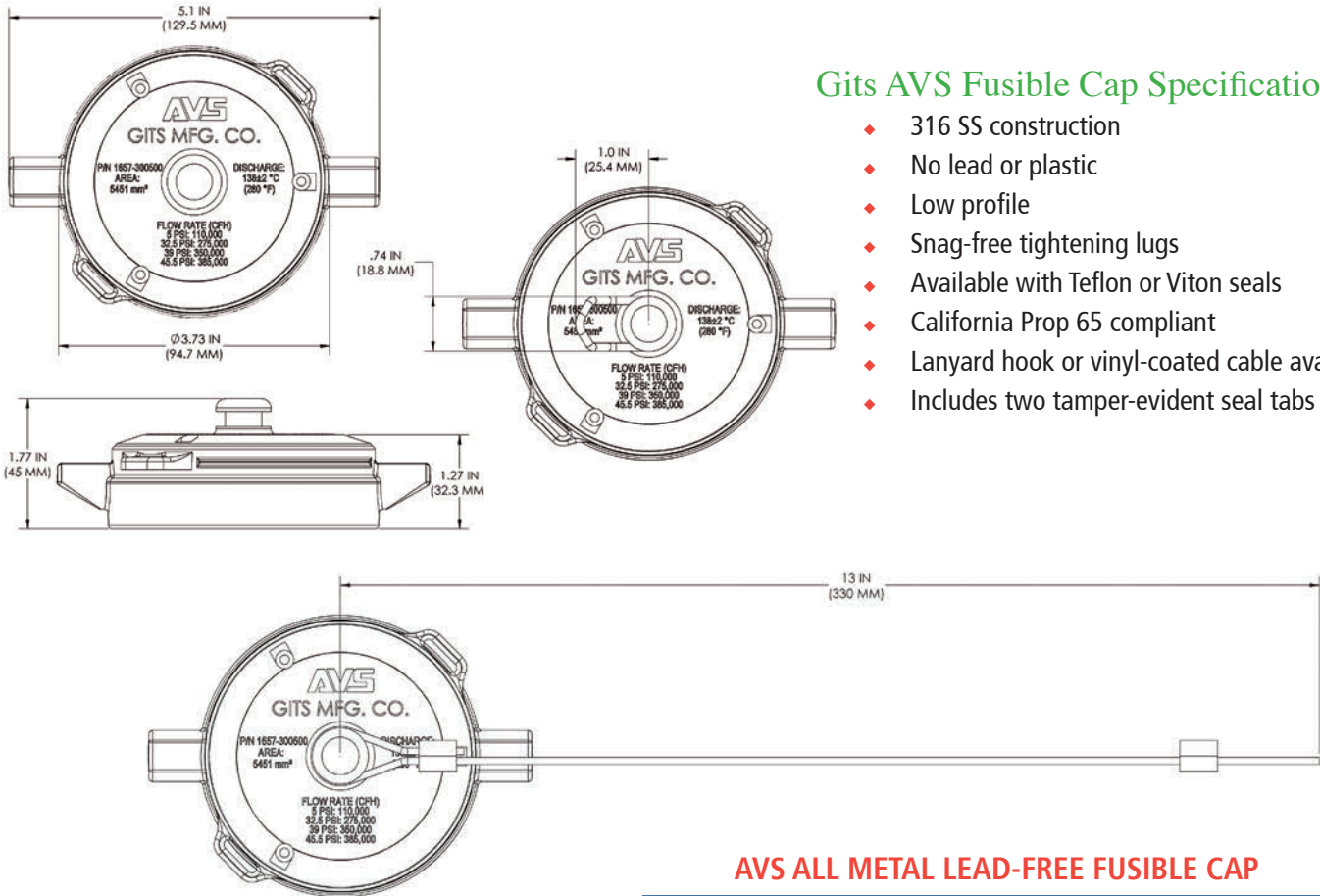
The locking/fusing mechanism provides a robust, worry-free design at an affordable cost. The eutectic alloy fuses at a consistent and distinct temperature to ensure stability and reliability.

Find out how our new AVS Fusible Cap can enhance performance, efficiency, and safety for you and your customers. Contact Gits sales today at 800.323.3238, ext 2, or info@gitsmfg.com.



Advanced Vent System™

At Gits Manufacturing, we lead the industry in smart solutions for industrial venting. Our new Advanced Vent System, comprised of an all metal, lead-free AVS Fusible Cap and AVS Pressure Vacuum Vent, gives you the safest, most reliable and efficient venting system on the market today for your metal IBCs, portable tanks, and totes.



Gits AVS Fusible Cap Specifications

- ◆ 316 SS construction
- ◆ No lead or plastic
- ◆ Low profile
- ◆ Snag-free tightening lugs
- ◆ Available with Teflon or Viton seals
- ◆ California Prop 65 compliant
- ◆ Lanyard hook or vinyl-coated cable available
- ◆ Includes two tamper-evident seal tabs

AVS ALL METAL LEAD-FREE FUSIBLE CAP

Part Number	Lanyard Option	Seal Material
1657-300500-T	Attachment Stub Only	Teflon
1657-300501-T	304 SS Lanyard Hook	Teflon
1657-300502-T	Vinyl Coated Steel Cable	Teflon
1657-300500-V	Attachment Stub Only	Viton
1657-300501-V	304 SS Lanyard Hook	Viton
1657-300502-V	Vinyl Coated Steel Cable	Viton

Call Gits sales today at 800.323.3238, ext. 2,
or email info@gitsmfg.com.

About Gits Manufacturing Co.

Gits Manufacturing provides smart, customized solutions in engine air and thermal management, actuation, lubrication, and venting to the world's leading OEMs. We engineer and build innovative products for applications including diesel engines, turbochargers, IBCs and other portable tanks, hydraulic reservoirs, pumps, and gearboxes. Gits is wholly owned by Actuant Corporation, a diversified industrial company serving customers from operations in more than 30 countries.

gitsmfg.com | actuant.com