



## ALL METAL, LEAD-FREE **FUSIBLE CAP**



### WORRY-FREE PROTECTION FOR METAL IBCS, TANKS, AND TOTES

At Gits, we lead the industry in smart solutions for industrial venting. Our new Advanced Vent System, comprised of an all metal, lead-free AVS Fusible Cap and AVS Pressure Vacuum Vent, gives you the safest, most reliable and efficient venting system on the market today for your metal IBCs, portable tanks, and totes.

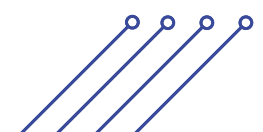
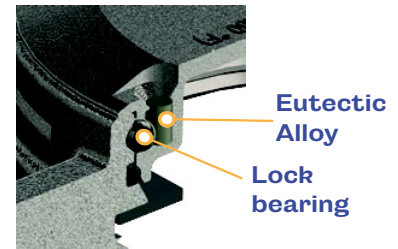
### Help keep your equipment, facilities, and employees safe around the clock.

You talked. We listened. Gits Manufacturing is pleased to introduce our all metal, lead-free AVS Fusible Cap, which is engineered to exacting standards using all stainless construction and innovative fusing technology. Our rugged, reliable, and cost-effective fusible cap design stands up to harsh environments with ease keeping contents intact and your valuable resources — both human and capital — safe from harm.

#### AVS FUSIBLE CAP FEATURES

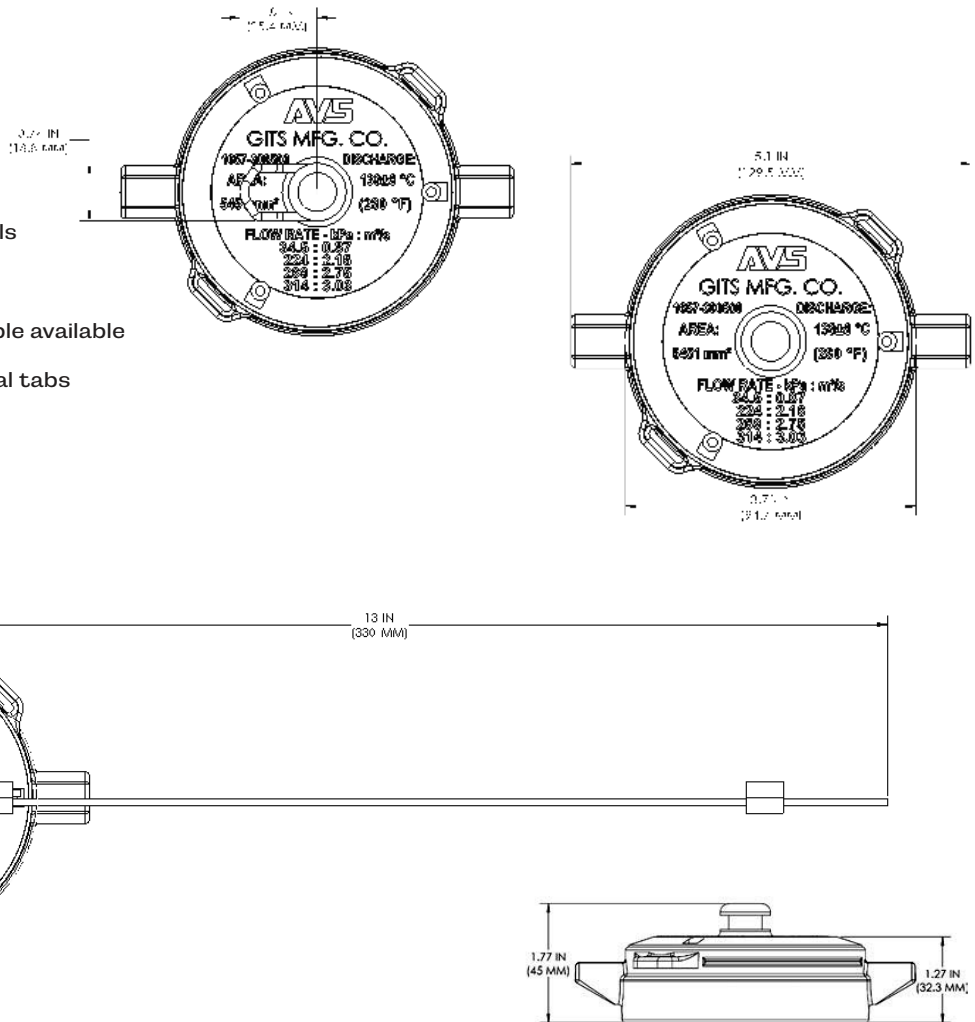
- Patented all-metal fusible element and groove lock uses a eutectic alloy to ensure
- Precise release at a single consistent temperature
- Lead-free and CA Prop 65 compliant
- Engineered to withstand overhead blows from dropped slings and harnesses
- Rugged design can withstand steam cleaning, drying, and sterilization without harmful effects
- New snag-free lug design resists harness and sling snagging
- Durable construction ensures no polymer degradation from UV radiation or aging
- Meets all UN31A requirements for fusible elements for portable tanks

The locking/fusing mechanism provides a robust, worry-free design at an affordable cost. The eutectic alloy fuses at a consistent and distinct temperature to ensure stability and reliability



## AVS FUSIBLE CAP SPECIFICATIONS

- 316 SS construction
- No lead or plastic
- Low profile
- Snag-free tightening lugs
- Available with Teflon or Viton seals
- California Prop 65 compliant
- Lanyard hook or vinyl-coated cable available
- Includes two tamper-evident seal tabs



## AVS ALL METAL LEAD-FREE FUSIBLE CAP

PART NUMBER	LANYARD OPTION	SEAL MATERIAL
1657-300500-T	Attachment Stub Only	Teflon
1657-300501-T	304 SS Lanyard Hook	Teflon
1657-300502-T	Vinyl Coated Steel Cable	Teflon
1657-300500-V	Attachment Stub Only	Viton
1657-300501-V	304 SS Lanyard Hook	Viton
1657-300502-V	Vinyl Coated Steel Cable	Viton



Scan the QR code to learn more.



**GITSMFG.COM**    **CENTROMOTION.COM**    **800.323.3238**

Gits provides smart, customized solutions in engine air and thermal management, actuation, lubrication, and venting to the world's leading OEMs. We engineer and build innovative products for applications including diesel engines, turbochargers, IBCs and other portable tanks, hydraulic reservoirs, pumps, and gearboxes. Gits is owned by CentroMotion, a family of companies that are industry leaders in industrial actuation and control solutions.