



# INTRODUCING THE AVS<sup>™</sup> 2" PRESSURE VACUUM VENT

## WORRY-FREE VENTING PROTECTION FOR METAL IBCS, TANKS, AND TOTES.

At Gits, we lead the industry in smart solutions for industrial venting. Our new Advanced Vent System, comprised of an all metal, lead-free AVS Fusible Cap and AVS Pressure Vacuum Vent, gives you the safest, most reliable and efficient venting system on the market today for your metal IBCs, portable tanks, and totes.

**You wanted a more reliable,  
easy and clean vent solution.  
We listened.**

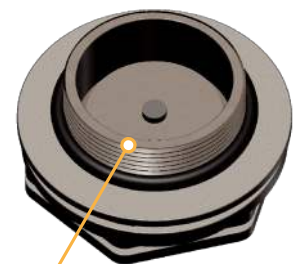
Gits is pleased to introduce our AVS 2" Pressure Vacuum Vent designed to make your job easier. Engineered using key customer input, this innovative design provides better flow, stays cleaner, and is easier to maintain than ever before.

### FEATURES

- Moving parts protected from container content
- Six times more pressure exhaust flow than similar vents
- Ten percent more vacuum flow than comparable vents
- Discharge pressure can be changed by replacing cover (3 and 5 psig available)
- Vacuum setting can be changed by relocating an easily accessible clip (1/4 and 1/2 psig available)



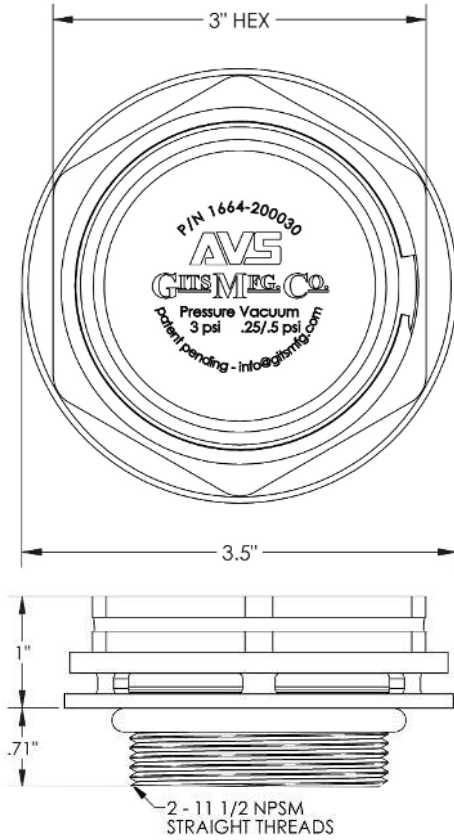
Comprised of an all metal, lead-free AVS Fusible Cap and AVS Pressure Vacuum Vent, our Advanced Venting System<sup>™</sup> gives you the safest, most reliable and efficient venting system on the market for metal IBCs, portable tanks, and totes.



Vent design protects moving parts from container contents.



- Worry-free cleaning, pressure adjustment and rework without special tools or instrumentation
- Inhibits water and contaminant from collecting on internal surfaces
- Resists water intrusion from rain or pressure wash
- Robust superhydrophobic/oleophobic coating resists fluid adhesion to working surfaces
- Over-sized o-rings provide improved sealing



## SPECIFICATIONS

- Low profile < 1"
- 316 stainless steel construction
- Viton, EPDM, PTFE/FEP Encapsulated seals available (other seal materials available upon request)
- UN31A compliant
- 3 and 5 psig covers available
- 1/4 and 1/2 psig vacuum settings available
- Zero leak to 1 psi below setting (Viton, EPDM)
- Slots for tamper evident wiring provided

## ACCESSORIES

- Internal flame arrester
- Internal insect screen
- Low profile desiccant breather
- Hazardous vapor filtration
- Colored banding for customization

PART NUMBER	PRESSURE SETTING (PSI)	VACUUM SETTING (-PSI)	SEAL MATERIAL
1664-200033-V	3	1/4	Viton
1664-200033-T	3	1/4	Teflon/Teflon Encapsulated Solid Core Silicone
1664-200033-E	3	1/4	EPDM
1664-200035-V	3	1/2	Viton
1664-200035-T	3	1/2	Teflon/Teflon Encapsulated Solid Core Silicone
1664-200035-E	3	1/2	EPDM
1664-200053-V	5	1/4	Viton
1664-200053-T	5	1/4	Teflon/Teflon Encapsulated Solid Core Silicone
1664-200053-E	5	1/4	EPDM
1664-200055-V	5	1/2	Viton
1664-200055-T	5	1/2	Teflon/Teflon Encapsulated Solid Core Silicone
1664-200055-E	5	1/2	EPDM



Scan the QR code  
to learn more.



**GITSMFG.COM**    **CENTROMOTION.COM**    **800.323.3238**

Gits provides smart, customized solutions in engine air and thermal management, actuation, lubrication, and venting to the world's leading OEMs. We engineer and build innovative products for applications including diesel engines, turbochargers, IBCs and other portable tanks, hydraulic reservoirs, pumps, and gearboxes. Gits is owned by CentroMotion, a family of companies that are industry leaders in industrial actuation and control solutions.